

THE CARRIER WAVE



PHANTOM FLYERS R/C CLUB



ama #393 SAINT CHARLES, MO

July 2020

Newsletter of the Phantom Flyers R/C Club

<http://phantomflyersrc.com>

CLUB OFFICERS

Contact Number

| | |
|-----------------------------------|----------------|
| President - Bill Ahrens | (314) 913-3819 |
| Vice President - Mitch Galatioto | (314) 234-5141 |
| Secretary - Ed White | (636) 219-2255 |
| Treasure - Jose' Espinosa | (636) 947-6067 |
| Safety Officer - Dave Evans | (636) 448-4800 |
| Field Manager - Don Grzina | (636) 233-0193 |
| Chief Flight Instructor - TBD | |
| Activities Chairperson - Jim West | (618) 498-9058 |

Send Membership Renewals to:

Ed White

10 Wolf Ridge Ct

St Charles, MO 63303

Board of Directors:

Work

Home

| | | |
|-----------------|----------------|----------------|
| Ed White | Retired | (636) 219-2255 |
| Dan Sundman | (314) 749-4029 | (314) 749-4029 |
| Mitch Galatioto | (314) 234-5141 | |
| Dave Evans | Retired | (636) 448-4800 |

The meeting was opened at 5:58 PM at the field. The meeting was chaired by President Bill Ahrens. Ten members were present.

Tech Session: The consensus is that Kevin Cox is amazing.

Secretary's Report: There was no meeting in either April or May. Minutes for the March Meeting were approved.

Treasurer's Report: The Treasurer reported that we are in good financial shape with enough in the bank to pay the lease (due in September). Of course this assumes no major unexpected expenses. There was some discussion of if we should consider ½ price or reduced membership for people who are members of other clubs. No conclusion was reached but we will continue to consider this. Treasurer's report was approved as presented.

Safety Officer's Report: There was no safety officer's report but there was some safety related discussion. The double white line on the center taxiway to the runway is the stop line for taxiing back after landing. Do not taxi beyond these lines. Use caution when flying in terms of where you stand. Pilots need to be close enough to communicate take-off, landing, on the field, etc. However, we still need to observe social distancing so remain at least 6 feet apart.

Field Manager's Report: The mowing schedule was emailed out and is also available on the website. Page 2 has contact information for mowers. The red mower may still have an intermittent oil leak. Check the oil before you mow, not after. It also floods easily. To start use full throttle and no choke. There is a fuel shutoff valve in the fuel line located behind the seat and above the right back wheel. When you shut off the mower, close the shutoff valve as quickly as you can. Mitch is looking into availability of a roller. It will need to get transported to the field and will need to be filled with water.

Activities Chair Report: Jim West has created a preliminary schedule for 2020 which has been revised multiple times due to cancellation of other club's events. The latest version is on the club website. July 25 is the first of four 2m sailplane contests. Jan Jansen has volunteered to CD all four - Thank you Jan ! Note that MVSA is also running 2m RE sailplane contests (the third Saturday of the month). They are using a format almost identical to our contests. August 15 is the date for the scale contest (CD is Don Grzina). Wright Flyers joint Fun Fly is scheduled for July 11.

GSLMA Report: There are reports that what were the soccer fields west of the RC area have been turned into a drone racing course. Bob Gill is still working on clearing the creek.

Old Business: No old business.

New Business: Somebody was flying a drone over the river. A reminder to club members we are a private club operating on leased land with the agreement that people who fly have AMA membership for liability reasons. We previously had the property marked with Private Property signs. They didn't last long.

The club membership list needs to be updated and sent to Mark Twain Hobby. [Completed]

A motion to adjourn was made and passed at 6:37 PM.

Ed White
Club Secretary

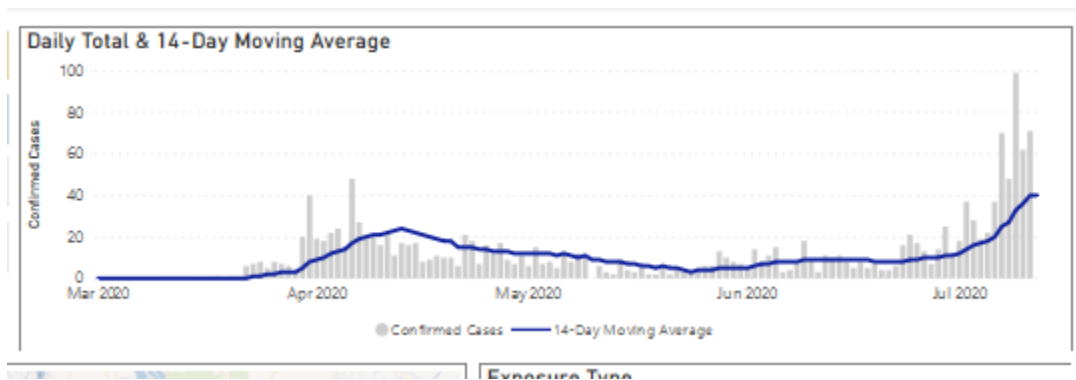
Membership,

Our meeting on **July 20 at the Club Flying Field will start at 6:00 PM.** I feel this was a good starting time to allow for some flying after meeting in the calm winds that occur each evening in the summer.

We do have a scheduled special guest for our meeting, Bob Underwood. He has worked for the AMA for a long time, the club will be giving him an honorary membership to our club. If you want to know what that means please email or call me to discuss. So, I would like to have a large turnout of our membership. It should be a great meeting!

An additional plus for our meeting is **Wayne Knaust will be BBQing hot dogs and maybe some other items.** He is footing the funding, so if you would like to partake, donations for the food you eat is appreciated.

Now for the hard part. As you see below the cases for the St. Charles have recently started again to spike up. **I request that each member to practice social distancing and be wearing a mask.** As we you all know we have members that are in the high-risk categories if they contract this virous (myself included). **I need to make this meeting safe for all.** In addition, I don't want someone to possible be exposed and take it to their love ones at home. I don't want to get a report that some club member got the virous from our meeting. I don't want to have that on my shoulders thinking what I could have done. So, I ask each of you to please use social distancing and consider wearing a facial mask. I will be wearing one. St. Louis and St. Louis County require them so you all should have one.



Plot is for ST. Charles of COVID 19 cases.

I do wish to see you all at our meeting. AccuWeather has a reasonable temperature forecasted for the evening.

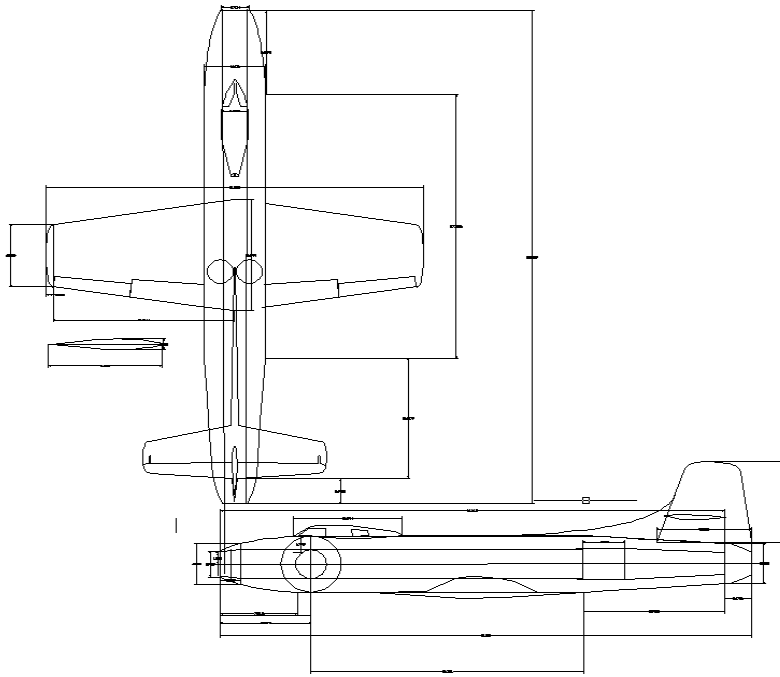


If you have any questions or concerns please contact me.

Thanks very much,
Bill Ahrens
Club President

Quarantine Project Douglas D-558-1

Part3 (Kevin Cox)



Fortunately, the RCgroups Quarantine Scale Build-Off deadline has been extended to September 1. I haven't done much since I started applying spackle to the foam fuselage that hadn't cured in a week! I moved on to sheeting the wings with 1/16th balsa and capping the wing tips. When I shape sand the balsa block tips I lay a strip of aluminum tape next to it prevent sanding anything but the tip. With the sheeting complete I could now mark the fuselage for the saddle.



The template for the saddle was cut from 1/64th thick ply and the foam wing hucks (the outer shell that holds the wing cores) were used to get close. The templates or guides are pushed into the fuselage and will be glued in place after the cut. A wing-fillet will be made after the wing mounting blocks have been installed. It was time to break out the small hand foam cutter.

The last photo is my motivational mock-up. Still need to reshape the vertical fin a bit more and cut the slot for the actual horizontal stab.



Club members Jan Jansen and Don Grzina at the MVSA 2M Sailplane contest on 6/20/2020



2020 Mowing schedule is now available!

Please find attached the mowing schedule for this year. It covers June to mid October. Mower contact information is included on a second page. Please print and save the schedule for future reference. A copy of the schedule will be posted on the club web site. We have 16 mowing volunteers this year. Teams of three mean there is a new round of mowing after five sessions. I set the schedule by assigning random numbers to each name, sorting by the random number, and inserting three names in order for each week. I repeated the sequence four times to cover the remaining mowing season.

I have delayed posting a schedule for a couple of reasons. First, the Covid-19 health crisis caused the field to be closed for some time. So let me remind everyone to maintain safe health practice while at the field. However, if we can't keep three mowers six feet apart on six acres, we have real problems.

Second, the field suffered some vandalism over the winter leaving some vehicle tracks in the grassy areas off each end of the runway, and nearer the road off the south end of the parking area. I would advise mowing these areas by following the track on a tangent to the ruts; This is far more comfortable than mowing across the ruts. It is not the most efficient method, but is easier on the back side. If anyone finds mowing these areas too uncomfortable, feel free to let me know and I will cut the damaged areas at the next opportunity.

The red Zero-Turn mower has been equipped with a fuel cutoff valve to prevent flooding and hard starting of the engine. I have posted some photos in the storage shed showing the valve located near the left rear wheel. Please remember to close the valve once the mower is parked back in the shed.

I want to take this opportunity to remind mowers to check engine oil level before mowing. The proper method is to remove the dipstick, wipe it dry, then reinsert it back into the fill tube without screwing the dipstick down. Oil level within the hatched area of the dipstick is within limits.

As field manager, I want to thank each of you for volunteering. Please contact me with any issues relative to the equipment.

Don Grzina
Field Manager

**IF YOU ARE UNABLE TO MOW THE SCHEDULED WEEK,
IT IS YOUR RESPONSIBILITY TO SWAP WITH A REPLACEMENT.**

| June | | | | |
|----------------------|---------------------|-------------------------|------------------------|------------------|
| 5 | 12 | 19 | 26 | |
| Ed White | Wm McMenamy | Jose Espinoza | Jack Buydos | |
| Wayne Knaust | Brad Young | Bill Ahrens | Jim Alberico | |
| John Klein | Mitch Galatioto | Jan Jansen | Kevin Cox | |
| July | | | | |
| 3 | 10 | 17 | 24 | 31 |
| Don Grzina | Wayne Knaust | Jack Buydos | Wm McMenamy | Kevin Cox |
| Willie Hinnah | Jim Alberico | Mitch Galatioto | Willie Hinnah | Bill Ahrens |
| Jim West | Jose Espinoza | Brad Young | John Klein | Don Grzina |
| August | | | | |
| 7 | 14 | 21 | 28 | |
| Jan Jansen | Kevin Cox | Wayne Knaust | John Klein | |
| Ed White | Mitch Galatioto | Bill Ahrens | Jim Alberico | |
| Jim West | Wm McMenamy | Jim West | Brad Young | |
| September | | | | |
| 4 | 11 | 18 | 25* | |
| Ed White | Jan Jansen | Brad Young | Mitch Galatioto | |
| Willie Hinnah | Jack Buydos | Jim Alberico | Willie Hinnah | |
| Jose Espinoza | Don Grzina | Jim West | Jack Buydos | |
| October | | | | |
| 2 | 9 | 16 | 23 | 30 |
| Jan Jansen | Don Grzina | William McMenamy | | |
| Jose Espinoza | John Klein | Kevin Cox | | |
| Wayne Knaust | Bill Ahrens | Ed White | | |

* Note: Weekend of the Phantom Flyers Pattern Contest; much preferred to be completed by sundown Thursday, Sep 24th. Additional volunteers for field prep will be greatly appreciated.

| Event | Club | Type | Day | Date | CD | Remarks |
|---|-------------|----------------|-----------|---------------|---|-------------------------------|
| Snow Fly | PFRC | | Wednesday | 1-Jan | | |
| MARCH | | | | 1-Mar | | |
| 2M Sailplane Contest | MVSA | 2M Sail | Saturday | 21-Mar | | |
| APRIL | | | | 1-Apr | | |
| Swap Meet - Granite City | MAW | Swap | Saturday | 4-Apr | ?? | |
| 2M Sailplane Contest | MVSA | 2M Sail | Saturday | 18-Apr | | |
| MAY | | | | 1-May | | |
| F3A Aerobatic Fun Fly - Hillsdale | RCB | F3A | Saturday | 2-May | CANCELLED | Hillsdale Lake, Olathe KS |
| Tail Gate Swap Meet | Spirits | Swap | Saturday | 9-May | CANCELLED | |
| 2M Sailplane Contest | MVSA | 2M Sail | Saturday | 16-May | | |
| Pylon Racing | Spirits | Race | Saturday | 16-May | CANCELLED | |
| 2M Sailplane Contest | PFRC | 2M Sail | Saturday | 23-May | CANCELLED | |
| Innsbrook Float Fly | Innsbrook | Float | Saturday | 23-May | CANCELLED | |
| F3A Pattern Contest - Hillsdale | RCB | F3A | Saturday | 30-May | CANCELLED | Hillsdale Lake, Olathe KS |
| JUNE | | | | 1-Jun | | |
| Electric Fly In | MAW | Elec | Saturday | 6-Jun | | Pontoon Beach, IL |
| Chuck Mack F3A Pattern Contest | Joliet | F3A | Saturday | 6-Jun | CANCELLED | Edwood, IL |
| 2M Sailplane Contest | PFRC | 2M Sail | Saturday | 13-Jun | CANCELLED | |
| F3A Pattern Contest - Anoka | Anoka | F3A | Saturday | 13-Jun | Brian Dorf | Anoka, MN |
| 2M Sailplane Contest | MVSA | 2M Sail | Saturday | 20-Jun | | |
| F3A Pattern Contest - Pittsburg | Pittsburg | F3A | Saturday | 27-Jun | CANCELLED | Pittsburg, KS |
| F3A Pattern Contest - Chicago | Tri Village | F3A | Saturday | 27-Jun | CANCELLED | Hanover Township, IL |
| JULY | | | | 1-Jul | | |
| Warbird/Classic/Giant Scale Fly in | MAW | Warbd | Saturday | 11-Jul | | |
| F3A Pattern Contest - Lee's Summit | KCRC | F3A | Saturday | 11-Jul | | Lee's Summit ,MO |
| Wright City Flyers 29th Anniversary | Wright | Fun | Saturday | 11-Jul | Joint Fun fly with PFRC still on schedule | |
| Meet Me in St Louis Pattern Fly In | PFRC | F3A | Saturday | 18-Jul | CANCELLED | Pattern NATS cancelled |
| 2M Sailplane Contest | MVSA | 2M Sail | Saturday | 18-Jul | | |
| F3A Pattern Contest - NATS | AMA | F3A | Sunday | 19-Jul | CANCELLED | |
| 2M Sailplane Contest | PFRC | 2M Sail | Saturday | 25-Jul | NEED | |
| Pylon Racing | Spirits | Race | Saturday | 25-Jul | | |
| AUGUST | | | | 1-Aug | | |
| F3A Pattern Contest - Omaha | Omahawk | F3A | Saturday | 8-Aug | Bob Wheeler | Omaha, NE |
| Scale Fly-In and Contest | PFRC | Scale | Saturday | 8-Aug | Don Grzina | |
| 2M Sailplane Contest | MVSA | 2M Sail | Saturday | 15-Aug | | |
| F3A Pattern Contest - Cedar Rapids | C. Rapids | F3A | Saturday | 22-Aug | Mark Barnett | Cedar Rapids, Iowa |
| Joint Fun Fly - @PFRC | PFRC | Fun | Saturday | 29-Aug | NEED | |
| SEPTEMBER | | | | 1-Sep | | |
| Innsbrook Float Fly | Innsbrook | Float | Saturday | 5-Sep | | |
| F3A Pattern Contest - Great Bend | Mack SF | F3A | Saturday | 12-Sep | Joe Dunnaway | Great Bends, KS |
| 2M Sailplane Contest | PFRC | 2M Sail | Saturday | 12-Sep | NEED | |
| 2M Sailplane Contest | MVSA | 2M Sail | Saturday | 19-Sep | | |
| 3D Fly In | MAW | 3D | Saturday | 19-Sep | | |
| F3A Pattern Contest - Tamarack | | F3A | Saturday | 19-Sep | Joe Burzinski | Menomonee, WI |
| F3A Pattern Contest | PFRC | F3A | Saturday | 26-Sep | | |
| Pylon Racing | Spirits | Race | Saturday | 26-Sep | | |
| Jet Fly | MAW | Jet | Saturday | 26-Sep | | |
| OCTOBER | | | | 1-Oct | | |
| 2M Sailplane Contest | PFRC | 2M Sail | Saturday | 17-Oct | NEED | |
| DECEMBER | | | | 1-Dec | | |
| Christmas Dinner | PFRC | XMAS | Saturday | 5-Dec | Bill Ahrens | |
| Joint Fun Fly - @Wright City | Wright | Fun | | | | Date TBD |

Phantom Flyers RC CLUB

(Be sure to explore our website: phantomflyersrc.com)

2020 MEMBERSHIP APPLICATION

- Regular \$150/year x ____ yr(s) = _____
 Family (IRS Dependents) \$155/year x ____ yr(s) = _____
 Non-Participant (Non flying) \$15/year x ____ yr(s) = _____
 Anonymous Donations Welcome

Note: All new applications received after 1 July of this year will receive next year's dues free

***** Late Renewal Fee ***** \$15 _____

(Late fee required if member has not paid by 31 Dec)

Total Amount Due = _____

Make checks payable to:
Phantom Flyers RC Club, Inc.

Eligible Member

Additional Family Member

| | | |
|--------------------------------|-------|-------|
| Member Name (/Nickname) | _____ | _____ |
| AMA Number | _____ | _____ |
| Primary Phone (home/cell) | _____ | _____ |
| Secondary Phone (work/cell) | _____ | _____ |
| Street | _____ | _____ |
| City, State, Zip | _____ | _____ |
| Spouse's Name | _____ | _____ |
| Primary E-Mail Address | _____ | _____ |
| Can Mow Flying Field? (Yes/No) | _____ | _____ |

My signature below signifies that:

I have read, understood and will abide by the Phantom Flyers RC Safety and Field Use Rules.

I understand that my participation in this activity is purely voluntary and I agree to hold Phantom Flyers RC Club, Inc. harmless for any and all liability for any injuries including death, which I might sustain while participating in this activity.

Signature: _____ Date: _____

Submit form and membership dues to:

Ed White
10 Wolf Ridge Ct.
St. Charles, MO 63303
Full members only, please send S.A.S.E.

*For Club Administrative Use
Only*

Dues Received
_____ Date

Current AMA Received/Shown
_____ Date



<http://phantomflyersrc.com/>

<https://www.facebook.com/Phantom-Flyers-RC-Club-139791882811519/>

Check there for the back issues of the Carrier Wave Newsletter, mowing schedule, event calendar and club roster/contact information (handy for mowing).

Articles, pictures and tech notes for publishing in the Carrier Wave are always appreciated. Let us know what you are building, repairing or flying!

Send them to:

kevcox@charter.net